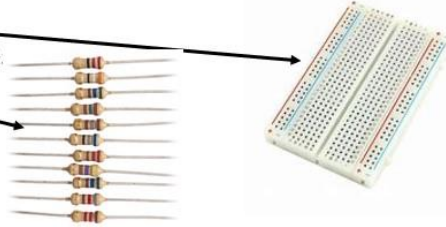
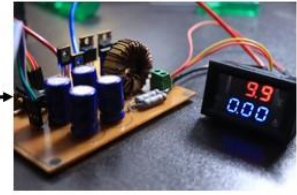


Lesson 3 Practical Answer Sheet

Lesson 3 Practical

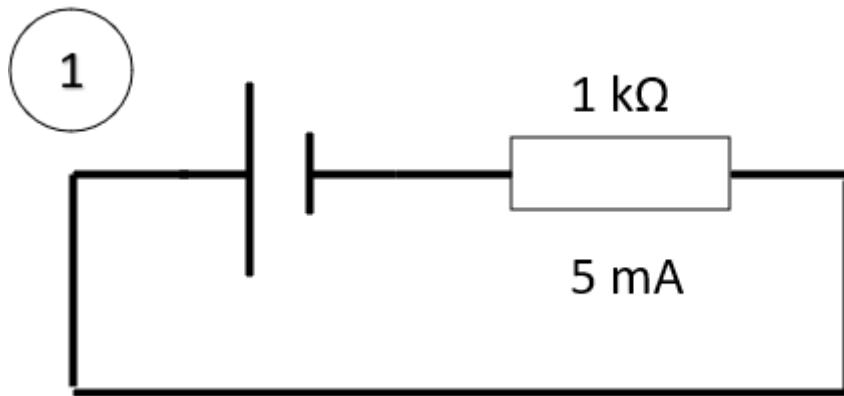
Equipment

- 1 x multimeter (digital or analogue)
- 1 x variable power supply
- 1 x bread board
- Various connecting wire
- Assorted resistors.



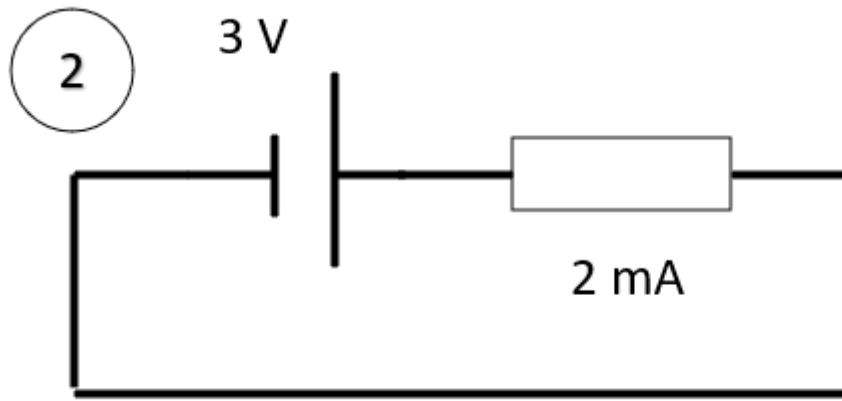
Images show examples only.

Calculate the answers then construct the circuit. Undertake the measurements to confirm your calculations.



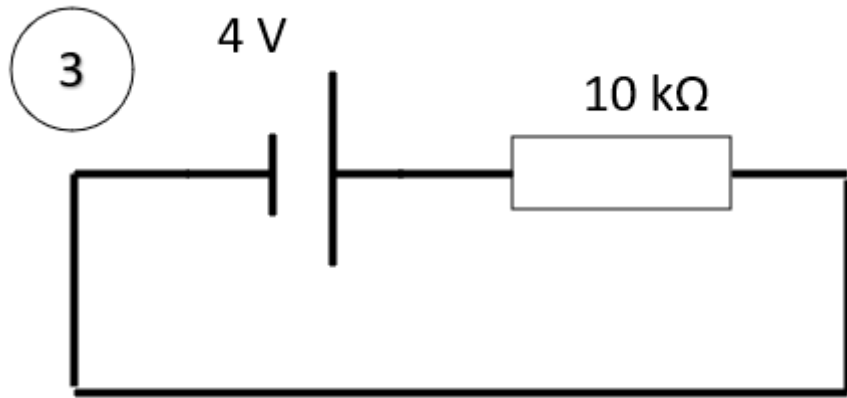
Question 1	Calculations	Measurements
Source voltage.		
Battery Polarity	Mark on diagram	
Electron flow	Mark on diagram	
Amperes		
Resistor	Band colours: Ω	Band colours: Ω
Watts		
Joules		
Coulombs		

Lesson 3 Practical Answer Sheet



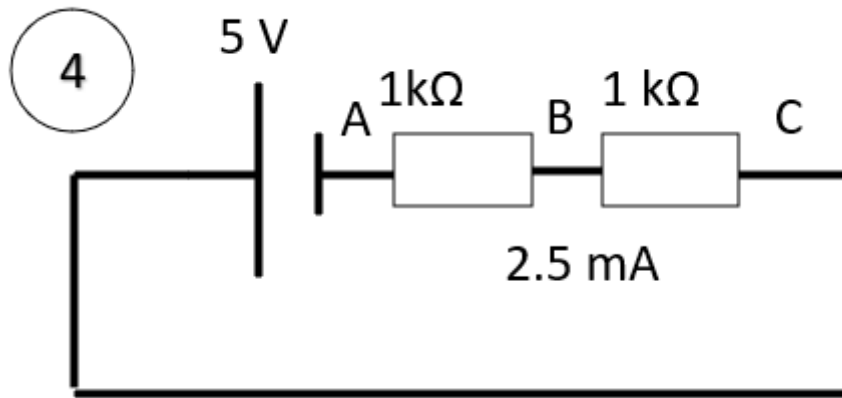
Question 2	Calculations	Measurements
Source voltage.		
Battery Polarity	Mark on diagram	
Electron flow	Mark on diagram	
Amperes		
Resistor	Band colours: Ω	Band colours: Ω
Watts		
Joules		
Coulombs		

Lesson 3 Practical Answer Sheet



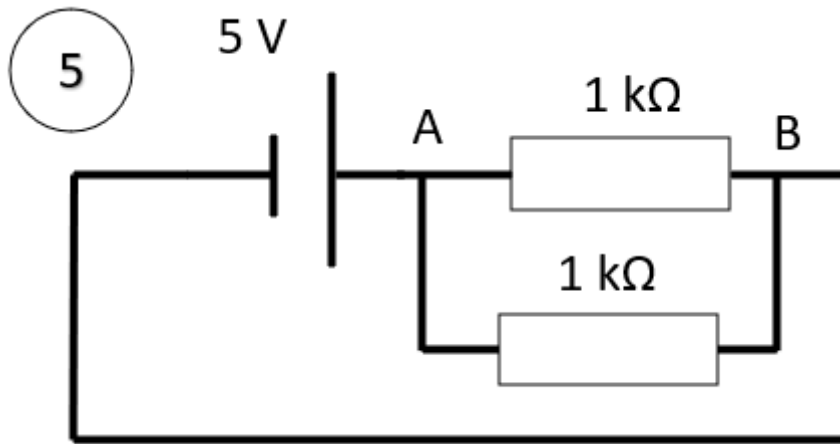
Question 3	Calculations	Measurements
Source voltage.		
Battery Polarity	Mark on diagram	
Electron flow	Mark on diagram	
Amperes		
Resistor	Band colours: Ω	Band colours: Ω
Watts		
Joules		
Coulombs		

Lesson 3 Practical Answer Sheet



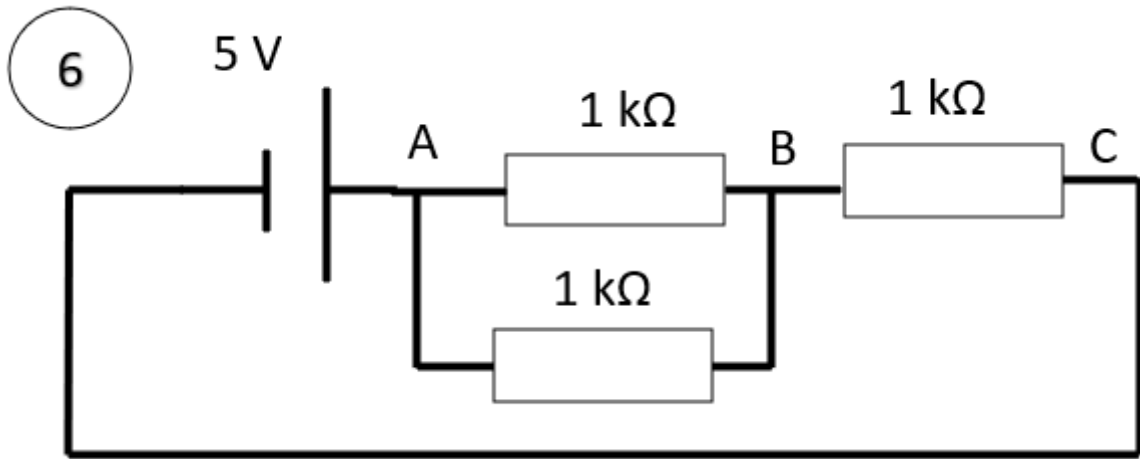
Question 4	Calculations	Measurements
Source voltage.		
Battery Polarity	Mark on diagram	
Electron flow	Mark on diagram	
Voltages	AB = BC = AC =	AB = BC = AC =
Amperes		
Resistor	Band colours: Ω	Band colours: Ω
What is the configuration of the resistors?		
Resistance	AB = Ω BC = Ω AC = Ω	AB = Ω BC = Ω AC = Ω
Watts		
Joules		
Coulombs		

Lesson 3 Practical Answer Sheet



Question 5	Calculations	Measurements
Source voltage.		
Battery Polarity	Mark on diagram	
Electron flow	Mark on diagram	
Volts		
Amperes		
Resistor	Band colours: Ω	Band colours: Ω
What is the configuration of the resistors?		
Resistance	AB =	AB =
Watts		
Joules		
Coulombs		
Voltages	AB =	AB =

Lesson 3 Practical Answer Sheet



Question 6	Calculations	Measurements
Source voltage.		
Battery Polarity	Mark on diagram	
Electron flow	Mark on diagram	
Amperes		
Resistor	Band colours: Ω	Band colours: Ω
What is the configuration of the resistors?		
Resistance	AB = Ω BC = Ω AC = Ω	AB = Ω BC = Ω AC = Ω
Watts		
Joules		
Coulombs		
Voltages	AB = BC = AC =	AB = BC = AC =

