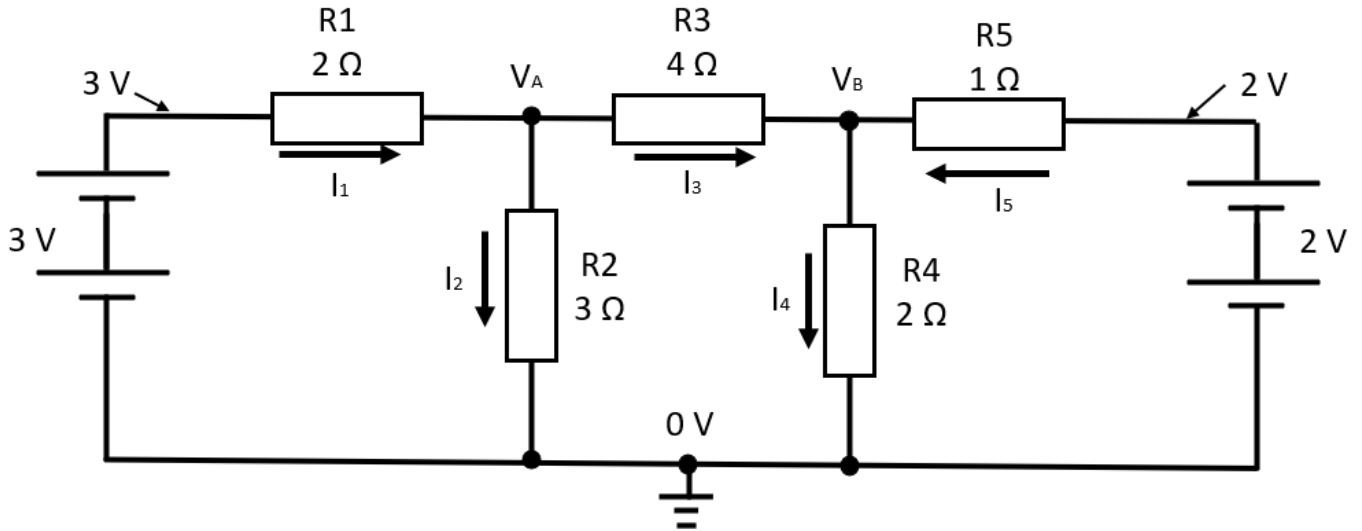


Lesson 4 - Nodal Analysis Practice Sheet

Not required for the Advanced amateur licence. This material is intended to help the candidate better understand the splitting of currents and voltage drops across resistors and re-enforces Kirchoff's law.

Calculate the following.



VA	VB	V R1	V R2	V R3	V R4	V R5
I1	I2	I3	I4	I5		

Have fun and stay safe.