

# Section 4

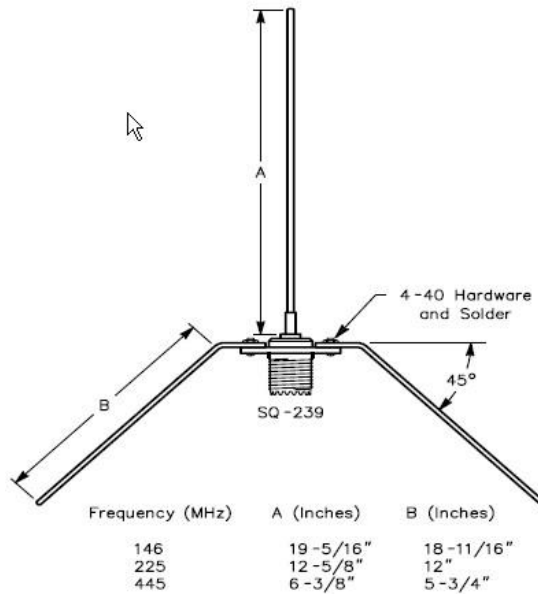
## Antennas.

Revise Antennas Chapter 5-2 of Foundation theory [HERE](#)

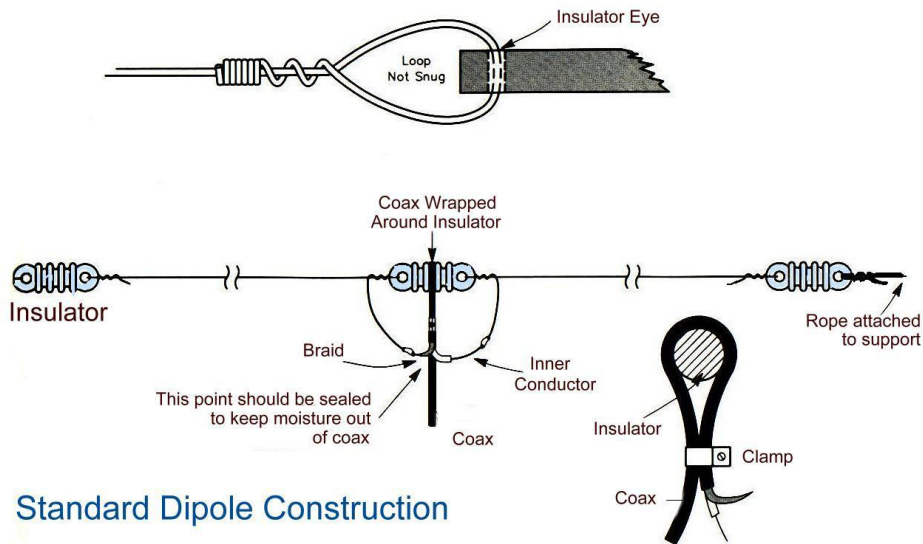
### Identify Antennas

**Task.** Physical examples or supplied (standard) assessors' diagram of five antenna types. At least four of the five antennas identified correctly.

### Ground Plane (Vertical) Antenna



### Dipole Antenna



### Standard Dipole Construction

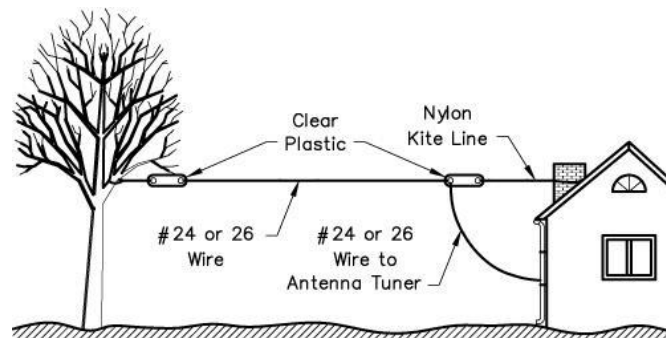
### Folded Dipole Antenna



**Yagi Antenna**



**End Fed Antenna**



**Action:**

Know and identify all five antennas.

*Have fun and stay safe.*