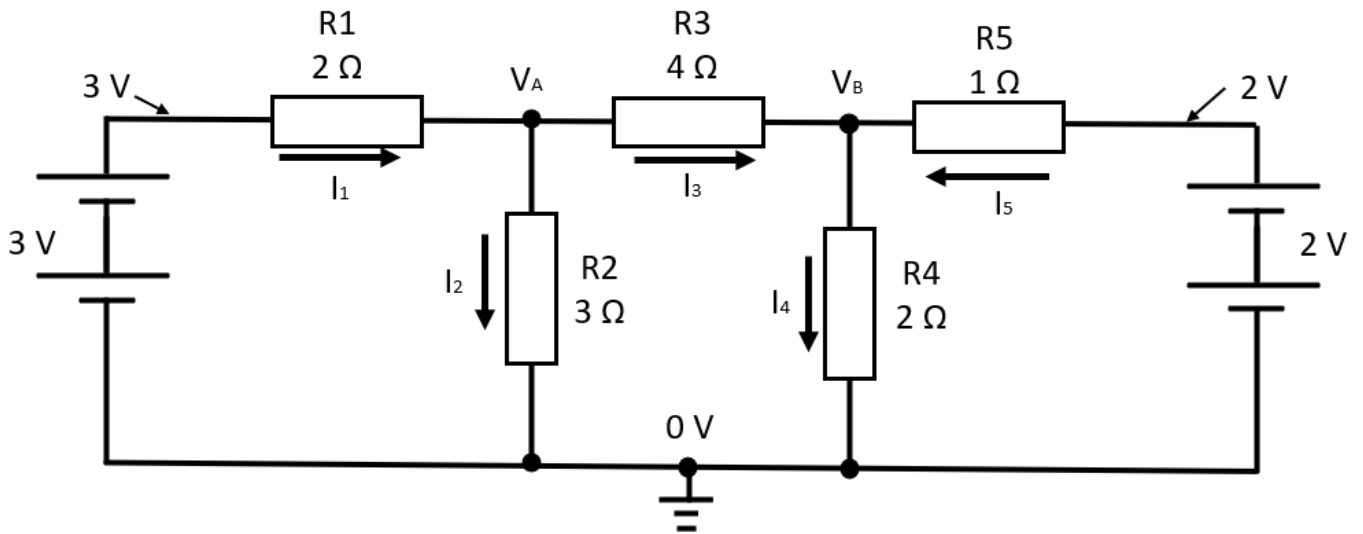


Australian Amateur Radio Advance Licence Theory

Lesson 4 - Nodal Analysis Practice Sheet

Calculate the following.



VA	VB	V R1	V R2	V R3	V R4	V R5
i1	i2	i3	i4	i5		

Have fun and stay safe.