



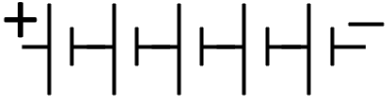
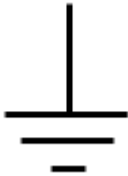

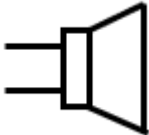

Chapter 1-2 - Answers

Q1 Complete the following table.

	Power (W)	Voltage (V)	Current (I)	Resistance (R)
1	15 W	13.63 V	1.1A	12.39 Ω
2	167 W	105 V	1.59 A	66 Ω
3	15 W	12 V	1.25 A	9.6 Ω
4	0.05 W	5 V	0.01 A	500 Ω
5	4.6 W	24 V	0.192 A	125 Ω
6	1 W	1000 V	1 mA	1 MΩ
7	7W	1400 V	5 mA	280 KΩ
8	10.5 W	15 V	0.7 A	21.42 Ω
9	2 W	0.3 V	6.66 A	45 mΩ
10	5.29 KW	2300 V	2.3 A	1 KΩ
11	2.66 W	2 V	0.75 A	1.5 Ω
12	0.2 W	5 V	0.04 A	125 Ω
13	6 W	24.49 V	240 mA	100 Ω
14	1000 W	31.6 KV	31 mA	1 MΩ
15	2 W	4.47 V	44 mA	10 Ω
16	0.06 W	6 V	10 mA	600 Ω
17	15 W	15 V	1 A	15 Ω
18	10 W	12 V	0.83 A	14.45 Ω
19	13 W	8.84 V	1.47 A	6 Ω
20	1000 W	244.94 V	4.08 A	60 Ω

$$P = I^2R \quad P = IE \quad P = E^2/R$$

Q2 Name or draw the following symbols.

Symbol	Name
	Resistor
	Lamp
	Battery
	Earth
	Antenna
	Speaker
	Fuse

Q3 How do you tell the size of the resistor?

Coloured bands around the resistor.

Q4 What is a resistor that is variable called?

Potentiometer